

Wood Garage Doors

- Wood Species and Materials
- Garage Door Construction
- The Right Wood Door for You
- Properly Finish Your Wood Door
- Maintaining Your Wood Door

Warm. Distinctive. Timeless.

These are the qualities that make a home stand out. With a Clopay wood garage door, yours is sure to be the focal point among others on the block.



Wood Species

Redwood

REDWOOD offers a characteristic rich red to pink color throughout the heartwood, while sapwood is nearly white. Clopay constructs the doors using only the finest heartwood (as opposed to soft sapwood) for their doors, because it contains a grown-in resistance to decay and insects that is present throughout the entire piece of wood. Redwood contains tannic acid and requires the use of a tannin-blocking primer to avoid discoloration when it comes into contact with moisture. Clopay offers Redwood in the Reserve® Wood and Classic™ Wood raised panel doors.

Western Red Cedar

WESTERN RED CEDAR withstands the natural elements, making it an ideal wood species for a garage door in any climate. Suitable for staining and painting, natural Cedar exhibits a wide variation of grain patterns and color, from nearly white to pink to dark brown, often within the same board. Cedar also contains tannic acid, and requires the use of a tannin-blocking primer to avoid discoloration when it comes into contact with moisture. Clopay offers Cedar in the Reserve® Wood and Classic™ Wood raised panel doors.

Meranti

MERANTI offers a characteristic reddish brown coloration with an even, consistent grain, allowing it to be easily stained. Meranti is a strong wood and can be compared to the strength of Hemlock. Clopay offers Meranti in Reserve® Wood garage doors.

Hemlock

HEMLOCK is an economical wood choice for all types of homes. The unfinished wood is a yellowish white color with a consistent tone and grain. Hemlock is the strongest wood species in the Clopay line and it is inherently rot-resistant. However, Hemlock has a low resistance to environmental change and will expand and contract within the panel of the door. In certain parts of the country wood WINDCODE® Doors are available only in Hemlock to meet specific building code specification due to its strength.

Fir

DOUGLAS FIR ranges in color from yellowish-tan to a light brown. It has a straight grain pattern which may contain some waves or spiral designs and has a medium to coarse texture. Douglas Fir is known to be dimensionally stable and strong throughout environmental changes. Clopay offers Douglas Fir in Reserve® Wood garage doors.

Luan Plywood

LUAN PLYWOOD is an economical alternative to wood panels that can be stained or painted. It is used in Clopay's Reserve® Wood doors and as a panel material in the Classic™ Wood garage doors. Luan is also known as imported hardwood.

Composite Materials

Extira®

EXTIRA is used as a grooved or smooth face or panel material on Clopay's Reserve® Wood garage doors or as raised panel material on Clopay's Classic™ Wood garage doors.

HARDBOARD

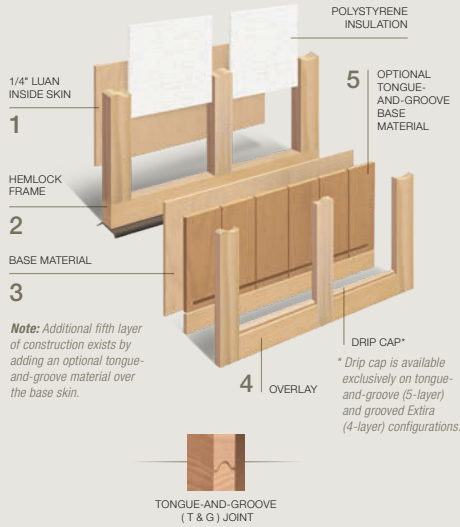
HARDBOARD is a composite wood product made from densely pressed wood fibers. Hardboard is ideal for painting, but it cannot be stained. It is used as a smooth flat panel material in Clopay's Classic™ Wood garage doors.

RESERVE® WOOD | Garage Door Construction

LIMITED EDITION

5 or 4 LAYER CONSTRUCTION

Up to three inches thick, four- or five-layer construction provides excellent insulation and outstanding wear.



SEMI-CUSTOM

2 LAYER CONSTRUCTION

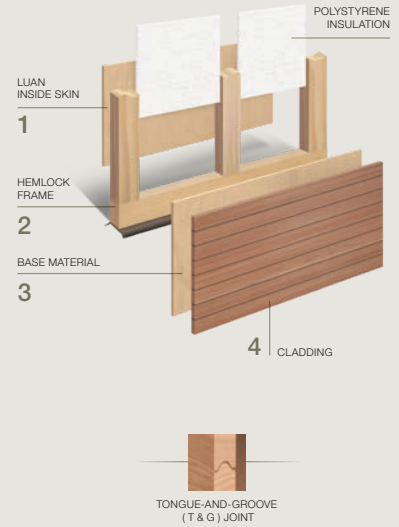
Two-layer construction method ensures durability and reliability.



MODERN

4 LAYER CONSTRUCTION

Four-layer construction offers durability and energy efficiency.



CLASSIC™ WOOD | Garage Door Construction

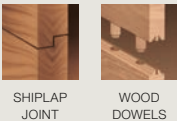
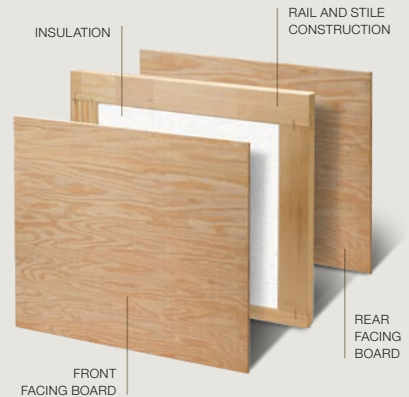
MODEL 44



MODELS 20 & 10



MODEL 33



Model 44 Raised Panel and 20 and 10 Recessed Panel feature a rail and stile, wood dowel pin construction with shiplap joints.



Model 33 has a Flush panel, insulated with polystyrene foam. Model 33 doors have a tongue-and-groove section joint. Model 33 is available in a rough or smooth texture and can be stained or painted.

Which Door Is Right for You?

There is a variety of materials to choose from when selecting a wood door. Use these helpful tips to guide your decision and ensure the long-lasting beauty of your Clopay wood door.

If you:

Live in a humid or rainy climate, consider a Cedar or Redwood door for its built-in durability and resistance to varying climate conditions.

Plan to paint your door, Extira panels offer a smooth, grain-free surface for a professional quality finish.

Live in a coastal region and need a door wider than 10', the local building code requirements may mandate a door with a Hemlock rail and stile construction.

Have or are installing Redwood or Cedar siding on your home, consider a matching wood species for your door for a cohesive look.

Wood Material Selector Chart

WOOD SPECIES								
Wood Property	Hemlock	Meranti	Cedar	Redwood	Fir	EXTIRA®	Luan	Hard-board
Color Consistency	***	***	*	**	***	***	*	***
Dimensional Stability ¹	*	**	**	**	**	***	***	**
Strength	***	***	**	**	***	***	N/A	N/A
Stainability	***	***	***	***	***	N/A	**	N/A
Weatherability	*	**	***	***	**	***	*	*

* Fair ** Good ***Excellent

¹ Dimensional Stability refers to a material's resistance to expansion and contraction during environmental changes. A wood that expands and contracts to a greater degree (such as Hemlock) has less dimensional stability. This property affects the panels of the door to a much greater degree than the rails and stiles.

How to Properly Finish Your Wood Garage Door

For Doors To Be Painted

NOTE: Differences in grain and color variations are indicative of natural wood. These are not considered product defects. Some variations in stain penetration may occur between materials from which the door is constructed (e.g. plywood panel vs. wood frame).

Prep

Important information: Wood products can absorb moisture during shipping and storage. Do not leave or store unfinished doors outside. It is important that all sections be free of moisture prior to finishing the sections. Wood doors should not be finished under very humid conditions (storing the door in such an environment will void the warranty on the door). In order to ensure that all door surfaces are properly finished, it is required that the door sections be finished prior to installation. Failure to properly and completely finish all door section surfaces, including the sides, back, bottom, face and joints, will void the warranty on the door.

Step 1: Fill any gaps or voids within wood surfaces with a wood putty that can be painted.

Step 2: Clean all door surfaces with a stiff bristle brush to remove surface dirt, dust and loose fibers.

Prime

Step 3: Before finish painting, the door section must be primed on all sides. Wood doors can be ordered either primed or unprimed (primed doors can be identified by the light-green finish). If your door is primed, proceed to step 4 below. Prime all section surfaces using a quality oil- or latex-based exterior primer, taking care to observe the primer manufacturer's application instructions, including

recommendations on temperature and drying time. If you are painting a Redwood or Cedar door, the primer must contain a tannin blocker. Using a primer on Redwood and Cedar doors that does not contain a tannin blocker could result in discoloration of the door after painting.

Protect

Step 4: For optimum long-lasting performance the spaces between the rails or stiles and the door panel should be caulked with a paintable caulk prior to painting the door. All (4) sides of each panel should be caulked to prevent water infiltration. Use caulk that allows for expansion.

Step 5: Finish paint all door section surfaces using a quality oil- or latex-based exterior paint. **The finish coat base should be the same as the primer coat base** (i.e. a latex-based finish paint is recommended for use with a latex-based primer, and an oil-based finish paint is recommended for use with an oil-based primer). **If your door is factory primed, a latex-based finish paint must be used.** Carefully follow all manufacturers' application instructions, including recommendations on temperature and drying time. A second top coat is recommended for optimum protection.

How to Properly Finish Your Wood Garage Door



For Doors To Be Stained

NOTE: The following door models cannot be stained: 10 (hardboard panels), any model ending in "G" or "P". If your door is one of these models, refer to the previous painting instructions.

Important Information

Select a quality exterior oil-based penetrating stain (transparent, semitransparent or solid) that is mildew resistant, UV resistant and water repellent. Selection of a stain or finish that does not have these properties will void the warranty on the door. Do not use nonbreathable film-forming finishes, such as varnishes and urethanes, which do not penetrate the wood.

Clopay recommends PPG ProLuxe™ brand of premium woodcare products. They enhance the beauty and provide superior protection for your Clopay garage door.

Step 1: Fill any gaps or voids within wood surfaces with epoxy.

Step 2: Clean all door surfaces with a stiff bristle brush to remove surface dirt, dust and loose fibers.

Step 3: Apply stain to all door section surfaces per stain manufacturer's instructions, including recommendations on temperature and drying time.

Step 4: For optimum long-lasting performance on a stained door, the spaces between the rails or stiles and the door panel should be caulked with a clear silicone caulk after staining the door. All (4) sides of each panel should be caulked.

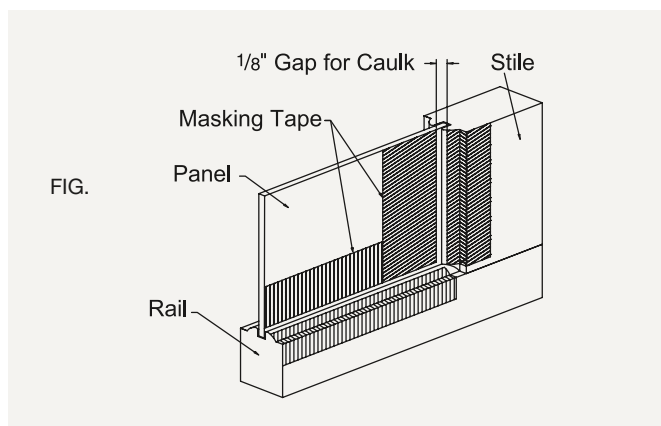
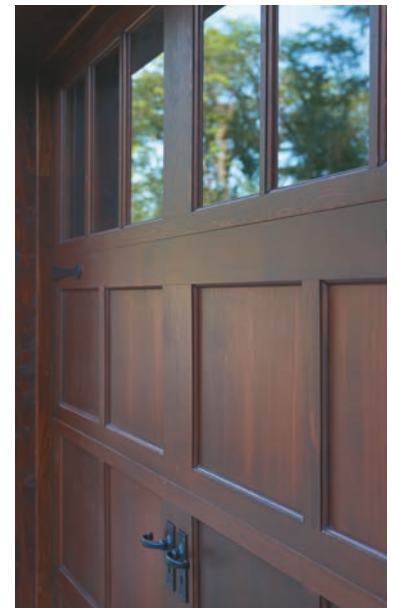
To avoid an uneven caulk line that could affect the appearance of the wood surrounding the panel joints, apply masking tape to both the panel and the stile or rail along the entire joint prior to caulking, leaving a gap of 1/8". Caulk along the joint, pressing the caulk into the joint and smoothing with finger. After entire bead is applied, remove tape.

Maintaining Your Painted or Stained Door

The two major contributing factors to the breakdown of the door's finish (ultimately resulting in rotting and warpage) are sun and moisture. Annually examine your door for any signs of paint finish cracking or peeling or for any cracks in the wood door section. If the door is painted, the manufacturer recommends that it be repainted every 1–2 years to protect or seal the door against the elements. Failure to do so will result in voiding of the warranty. If the door is stained, reapply stain as needed per

the stain manufacturer's recommendations. In general, the clearer the stain, the more it will need to be reapplied.

Minor cracks in the wood should be repaired by filling in the area with an exterior grade caulk compound and then refinished following the previous instructions. Failure to repair cracks could potentially lead to more extensive section damage in the future. Gouges in the wood surface can be repaired with a wood filler. If extensive damage occurs to the door, the door manufacturer recommends that the door section be replaced. Failure to do so could result in damage or injury to property or individuals in the garage.



Visit clopay.com or call 1-800-2CLOPAY (800-225-6729) for more information on Clopay, America's Favorite Garage Doors.

Follow us on [f](#) [y](#) [t](#) [p](#) [e](#) [h](#) [i](#) [n](#) [s](#)

MADE IN USA © 2020 Clopay Corporation. All rights reserved.